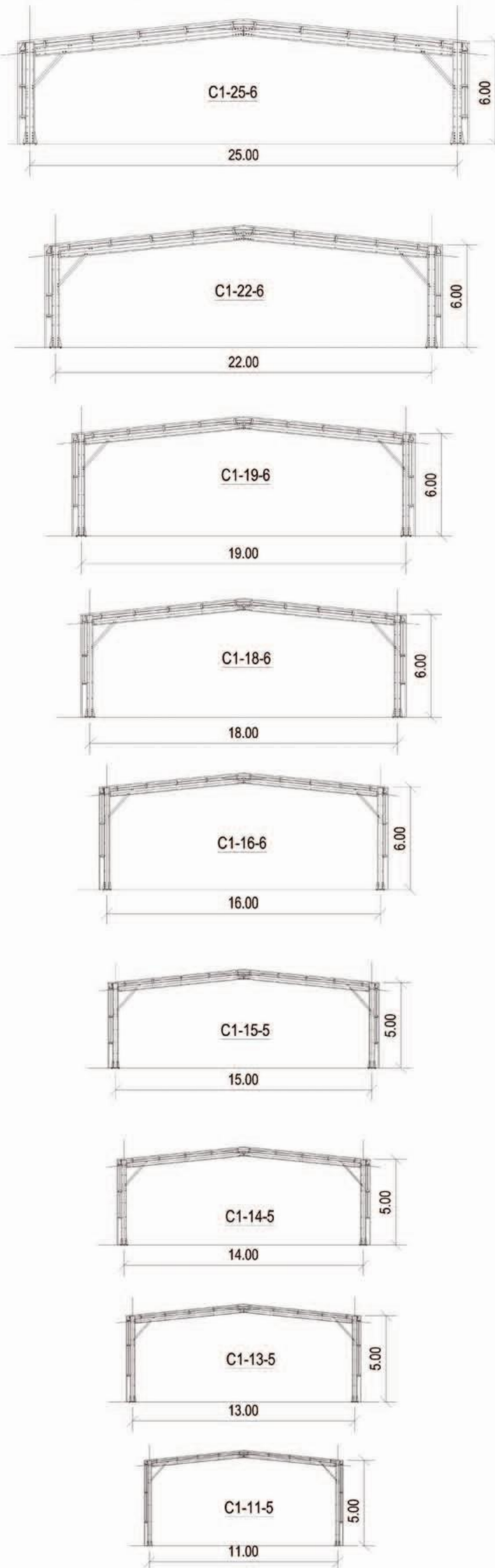


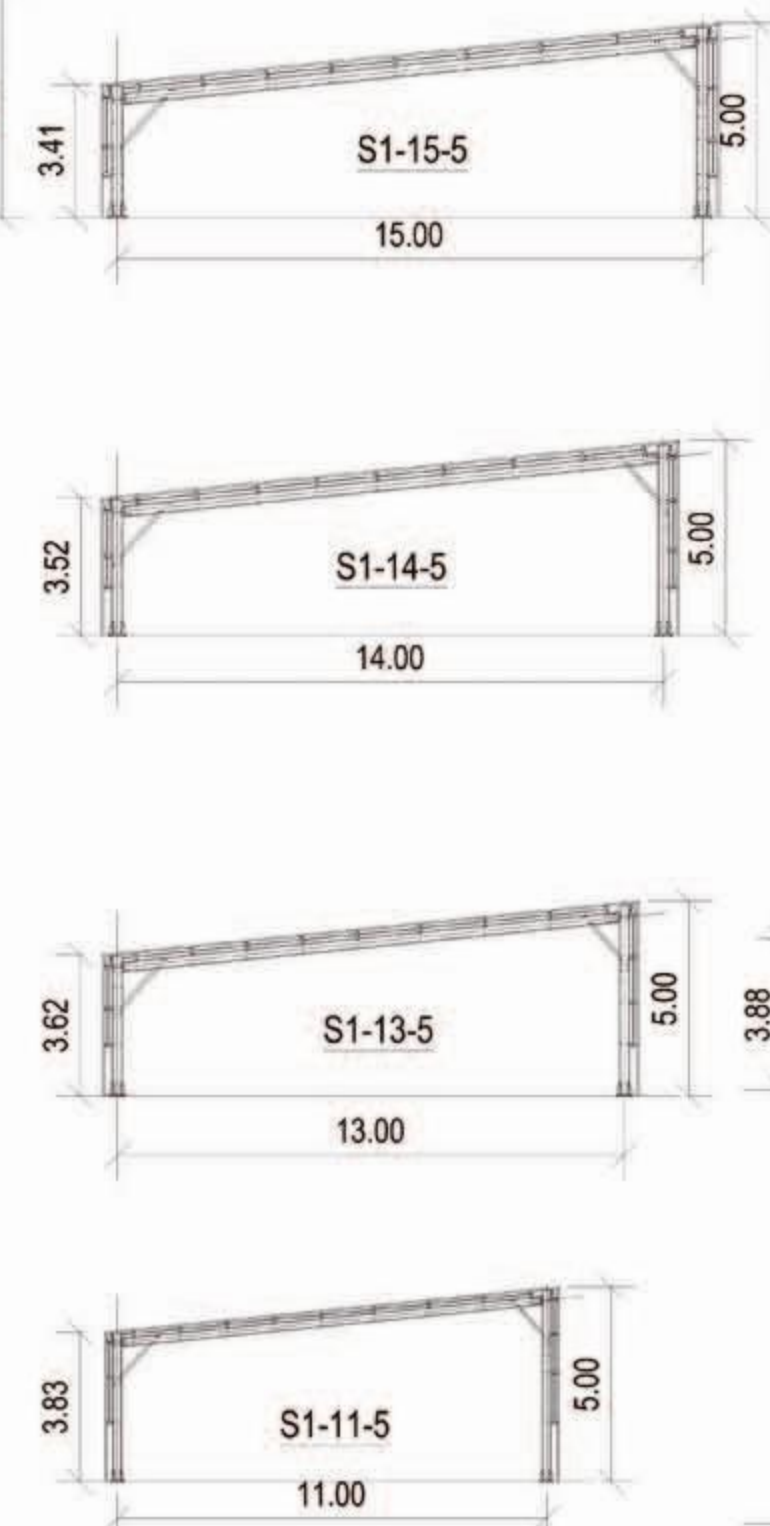
LIGHT GAUGE STEEL BUILDING SYSTEM

SAND/SNOW LOAD = 40kg/m²

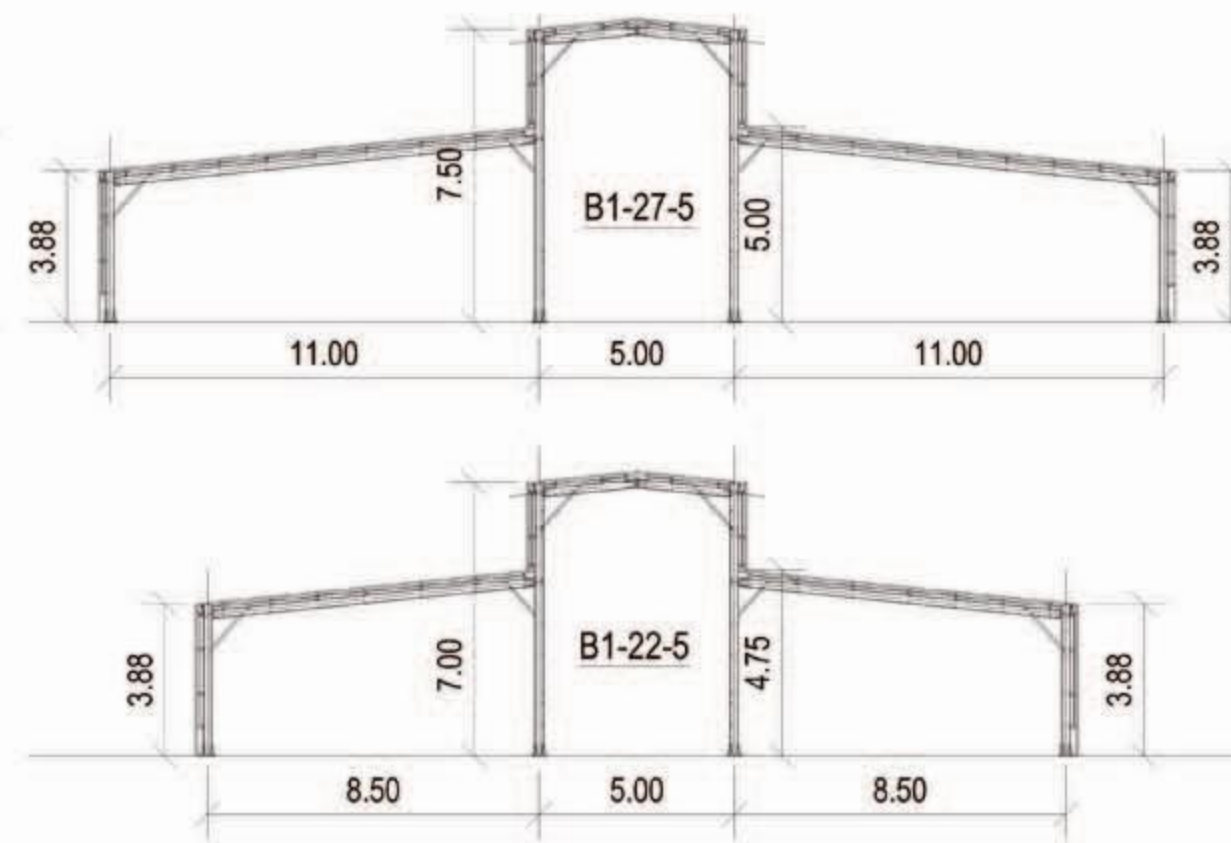
CLEAR SPAN STEEL BUILDING FRAMES



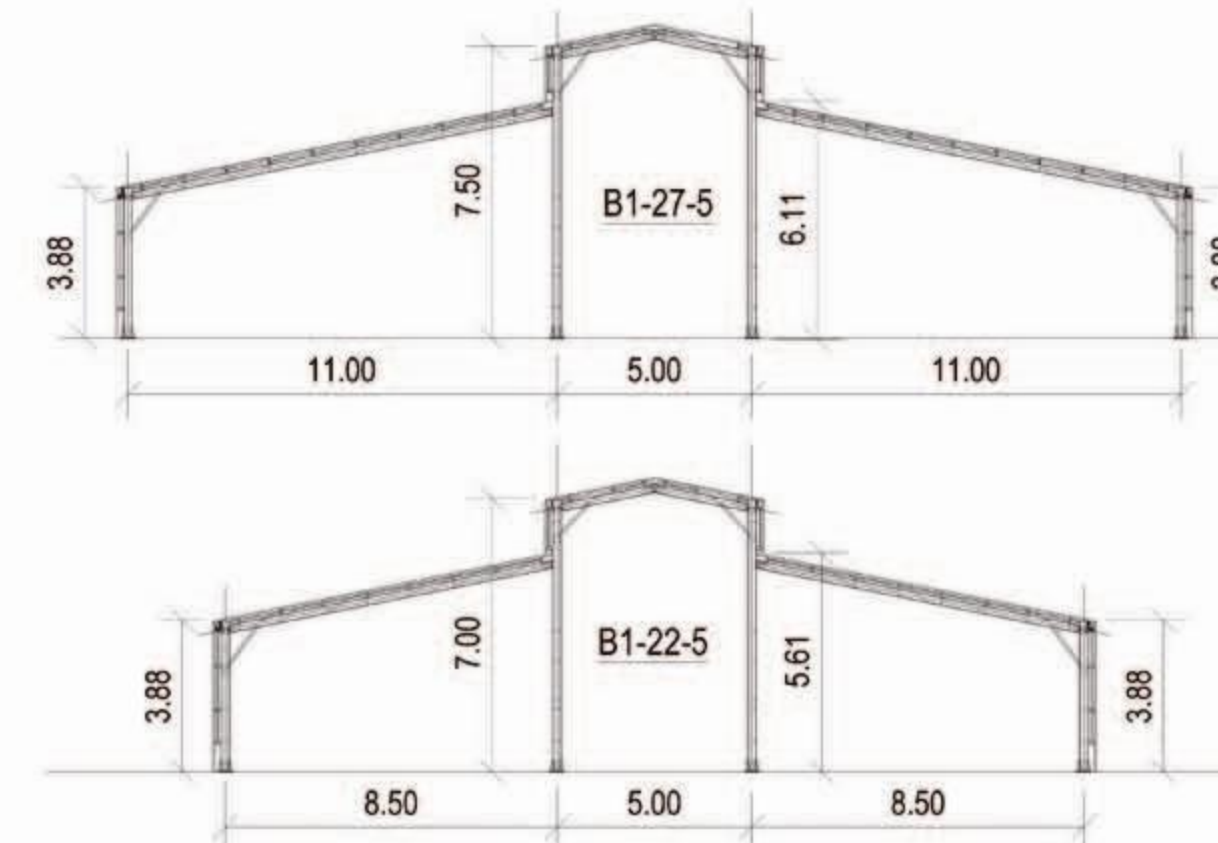
SINGLE SLOPE STEEL BUILDING FRAMES



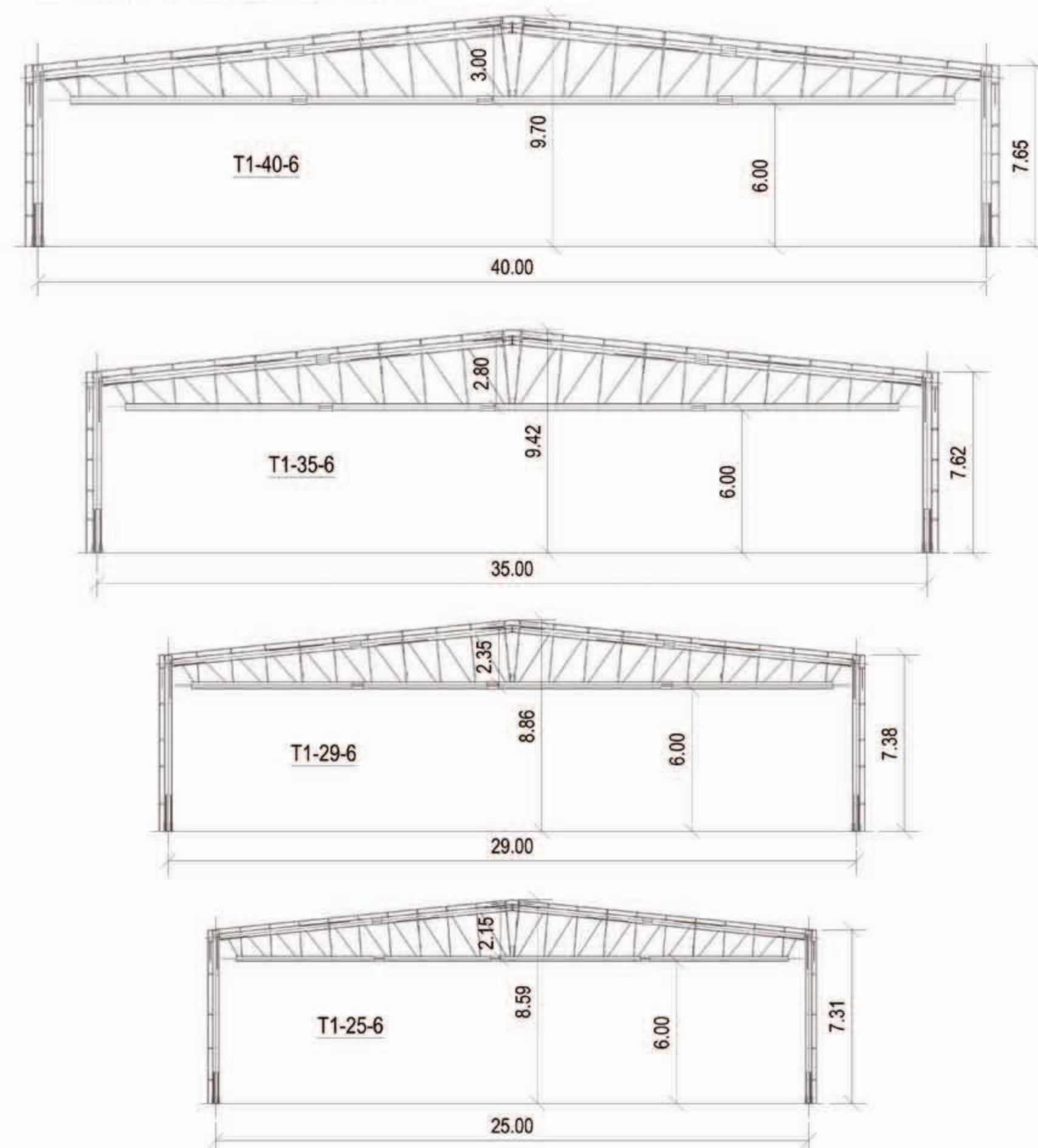
DOUBLE SLOPE STEEL BUILDING FRAMES WITH VENTILATION



DOUBLE SLOPE STEEL BUILDING FRAMES WITH VENTILATION

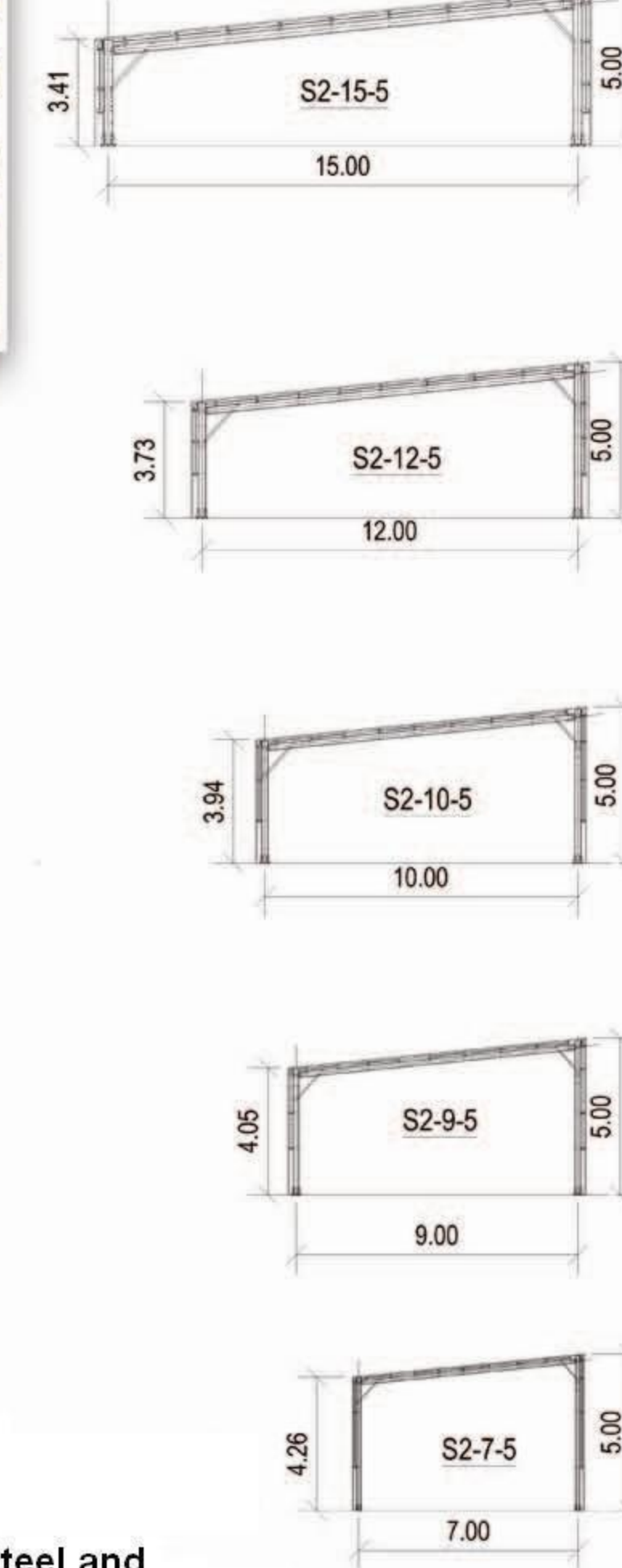


STEEL BUILDING FRAMES WITH WIDE-SPAN TRUSS

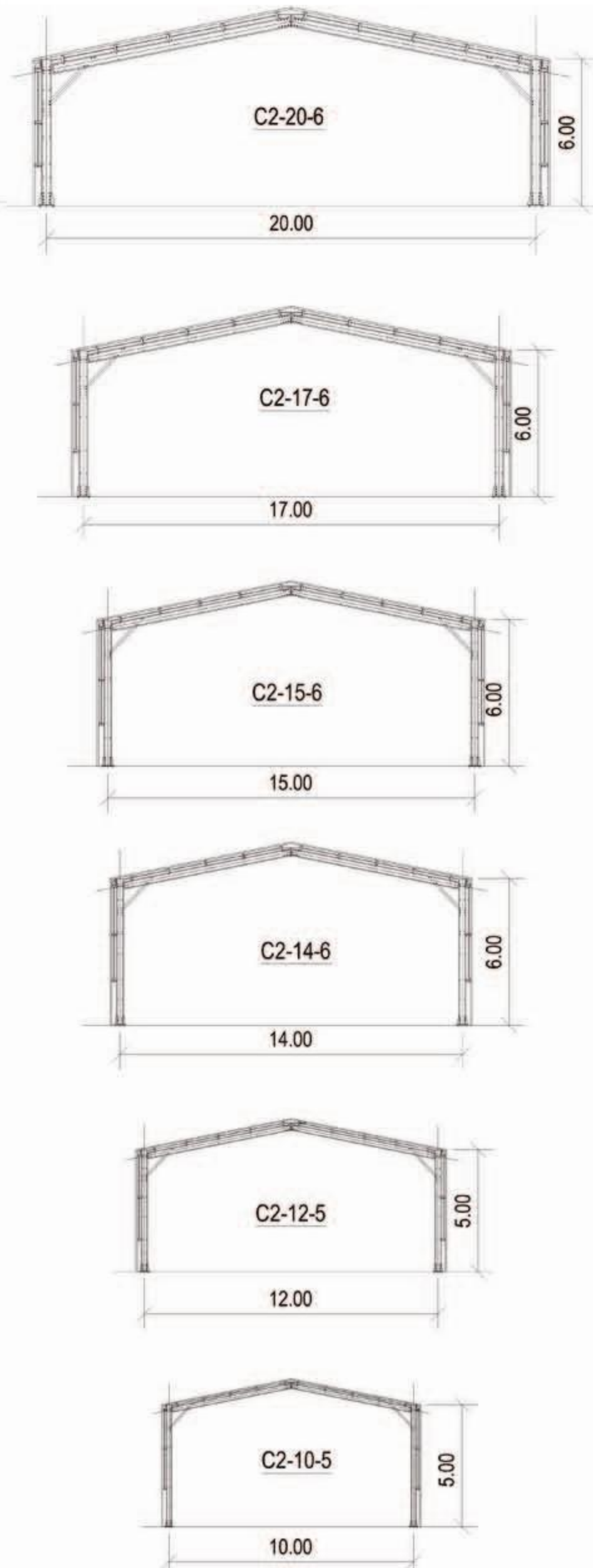


SAND/SNOW LOAD = 80kg/m²

SINGLE SLOPE STEEL BUILDING FRAMES



CLEAR SPAN STEEL BUILDING FRAMES



TECHNICAL SPECIFICATIONS

- Designed conforming to AISI-LRFD Cold Formed Steel and Eurocode 3-Part1.3.
- Fabricated from light-gauge steel profiles upto S460 quality.
- Galvanized 200gr/m²

ADVANTAGES

- Upto 40m span length without columns
- Recyclable
- Transportable
- High strength to weight ratio
- Cost efficient due to less assembly time
- Can be dismantled many times
- Fast construction time
- Space efficiency for multi-storey buildings
- Engineered to better withstand to earthquakes, hurricanes, sand and snow storms
- Custom designed sections for optimum solutions

STEEL BUILDING FRAMES WITH WIDE-SPAN TRUSS

